

ezwall



HYDROFACTOR is a fluid applied air and water barrier.

Hydrofactor is a polymer based, non cementitious, ready mixed air and water-resistant barrier system. The Hydrofactor system consists of: Hydrofactor-C coating is applied over vertical sheathing with sprayer or roller, Hydrofactor-J joint compound is used with Hydrofactor Mesh/Tape and applied by trowel at all sheathing joints, rough openings, and inside/outside building corners.

COST EFFECTIVE

Fast and “EZ” installation reduces labor time and expenses. **Hydrofactor** is ready for immediate application directly out of the bucket.

PROTECTION

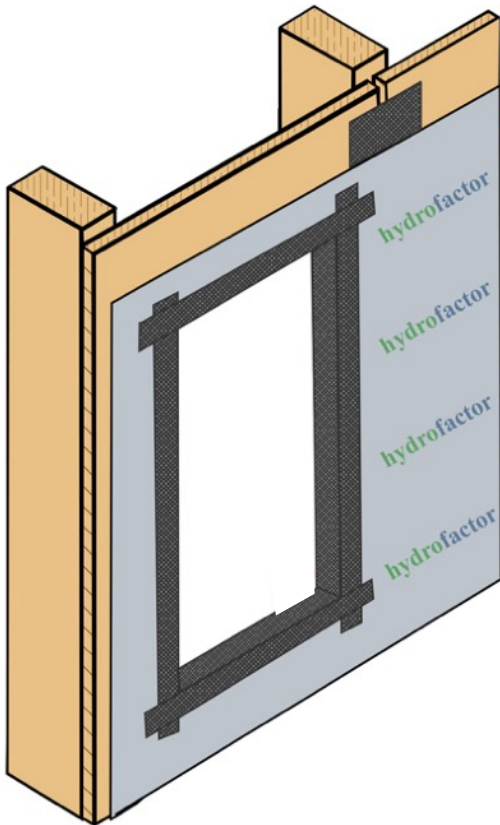
Hydrofactor is a seamless, uniform barrier that protects sheathing from water damage and prevents air leakage through the wall system.

USES

Hydrofactor can be used on a variety of substrates. Its design allows it to be incorporated into almost any wall system including masonry, cement siding, stucco and EIFS.

Hydrofactor

Hydrofactor offers a more durable and seamless way to protect against moisture and air leakage.



“HYDROFACTOR FIT OUR WEATHER BARRIER NEEDS WITHOUT GAPS AND FASTENERS THAT WOULD COMPROMISE THE SYSTEM”

As construction laws get progressively intricate in their necessities for assurance against moisture damage and undesirable air development, applicators need frameworks that are simple to install and protect the lifetime of the structure.

COMMON BUILDING WRAP PROBLEMS

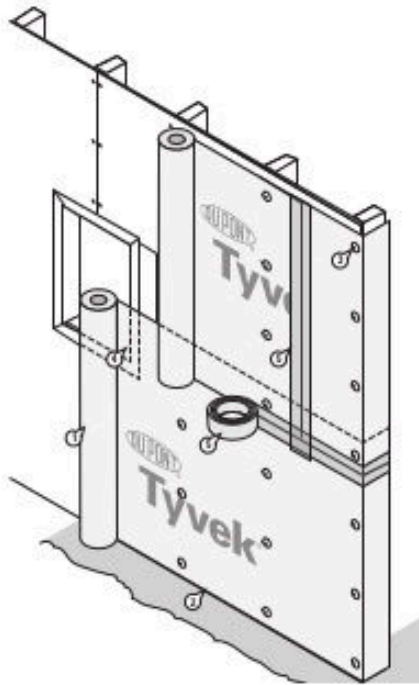
In order to create a moisture barrier, most building wrap systems depend on lapping, and taping, and multiple other components. These basic systems can lead to expensive callbacks or even complete failure because they are inclined to tearing and loss of attachment. EZwall **Hydrofactor** completely avoids all of those problems by providing a straightforward, seamless, fluid applied moisture and air barrier membrane.



How Many Pieces to the Puzzle?

- **13 different steps** for installation

- Steps involve “penetrating” band-board that often lead to system failure



Requires:

- Nails
- Screws
- Staples
- Multiple Flashing Tapes

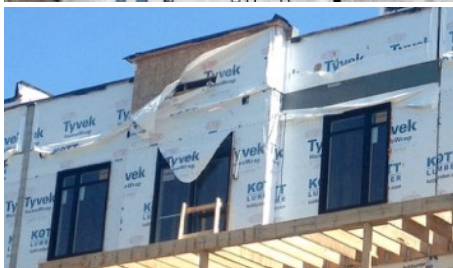
2 SIMPLE STEPS:

- Joints/Opening with **HYDROFACTOR-J**
- Full Coverage with **HYDROFACTOR-C**



Requires:

- Mesh
- Hydrofactor
- ZERO penetration through the substrate barrier



Monolithic System

Hydrofactor-j

Mesh

Hydrofactor-c

Hydrofactor-j

This ready-mixed product is utilized to seal joints, windows and other “rough” openings. It preforms as a weather resistive barrier to prevent water penetration and air infiltration at sheathing board joints.



Hydrofactor Mesh

Mesh is designed to be embedded into **Hydrofactor-j** to increase the durability of the entire system. They help prevent cracking, improve impact resistance and thus improve overall water resistance.

Hydrofactor-c

This polymer-based, non-cementitious, ready-mixed product is used as the final, full coverage step in ezwall's **Hydrofactor** system.



	Test Method	Test Results
Bond Strength	ASTM C-297	Pass
Water Vapor Transmission	ASTM E-96	C: 530 J: 267
Water Resistance	CAN2-51.32-M77	Pass
Air Permeance	ASTM E-2197-07 and ASTM E-283-99	0.0018 L/s m ²
Flexibility	ASTM D-522	Pass
Tensile Strength at Break and Elongation	ASTM D-2370	0.4/82
Resistance to Mold/Fungus/Mildew	ASTM D-3273	Pass
Surface Burning	CAN/ULC S102 - M88 (ASTM E-84)	Pass
Fire Testing	CAN/ULC S-134-92 (NFPA 285)	Pass